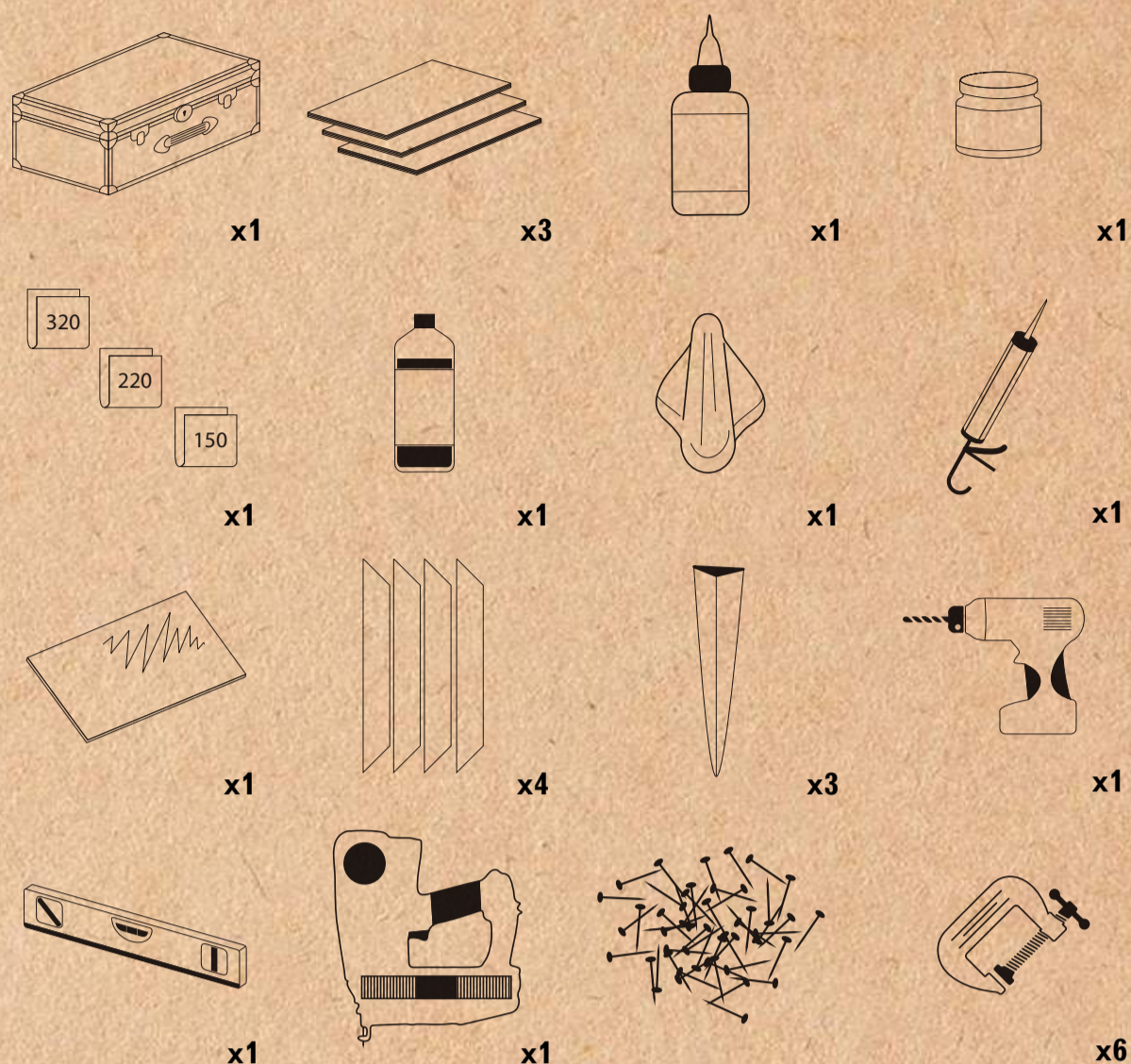


# 1.2 TRUNK CABINET

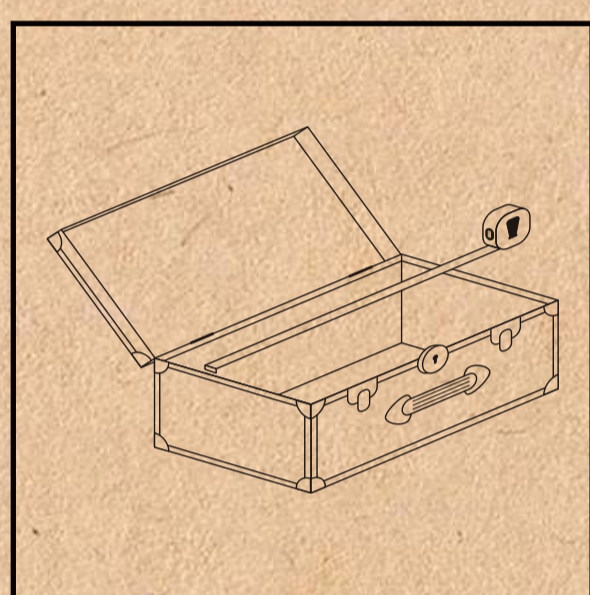
The trunk cabinet is a more intermediate project, a classic upcycle that you'll want to use to proudly showcase your liquor collection for years to come.

## MATERIALS

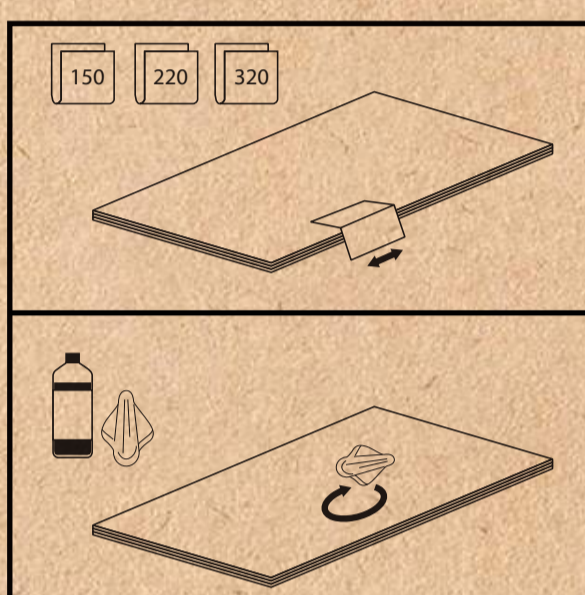
- 1 x Old trunk
- 1 x 1/2 sheet of 1/2" plywood
- 1 x 1/4 sheet of 1/4" plywood
- 1 x 1/4 sheet of 1/8" plywood
- 1 x Wood glue
- 1 x Wood filler
- 150, 220, 320 grit sandpaper
- 1 x Wipe-on poly sealant
- 1 x Rag
- 1 x Construction glue
- 1 x Piece of glass cut to size
- 4 x Mirror trim
- 3 x Table legs
- 1 x Chop saw
- 1 x Table saw
- 1 x Router drill bit and drill
- 1 x Jig saw
- 1 x Spirit level
- 1 x Nail gun
- Nails
- 6 x Clamps



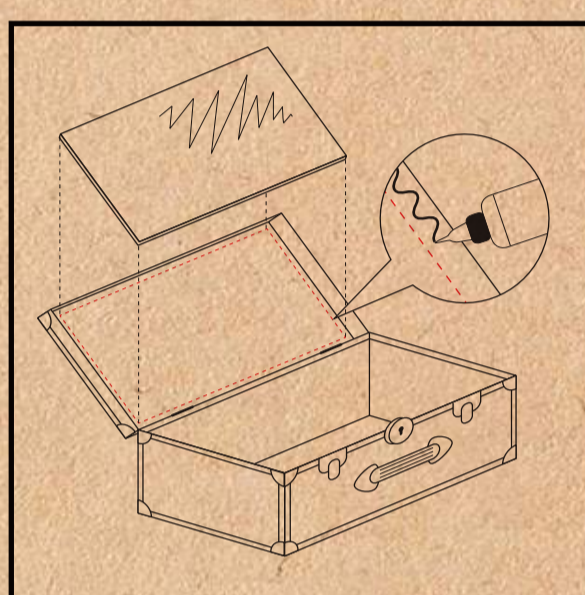
## INSTRUCTIONS



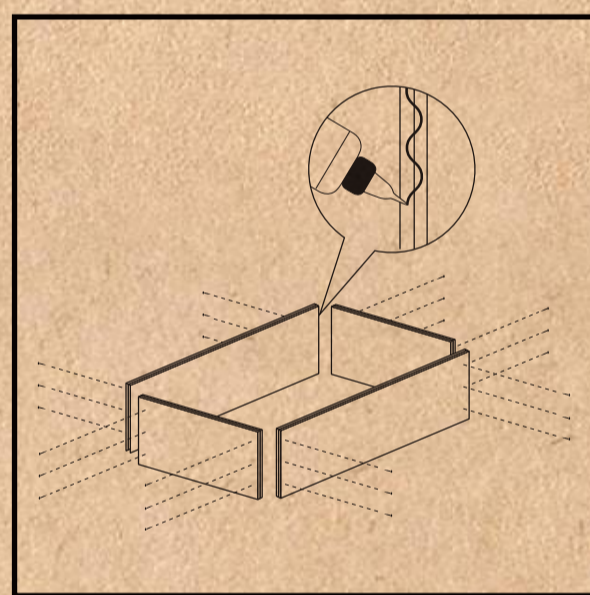
**1.1** Source an old trunk (we found ours from our local online classifieds). Measure the dimensions of your inner trunk.



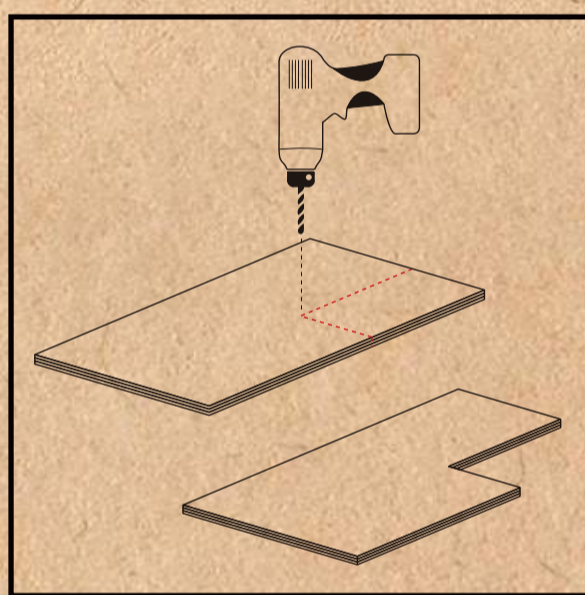
**1.2** Cut your 1/4" plywood to line the bottom of the trunk and 1/2" plywood for the sides and shelves. Sand your woodcuts using 150 grit sandpaper. Apply wipe-on poly and allow to dry. Sand using 220 grit sandpaper. Apply poly and allow to dry. Sand using 320 grit sandpaper. Apply poly and allow to dry. Place aside.



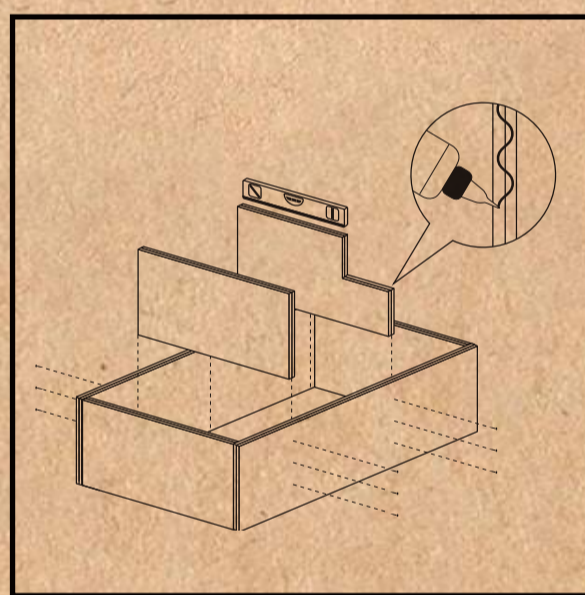
**1.3** Working from the metal border of the top of your trunk, measure a 1.5" trim all around the top of your trunk. Jigsaw this out. Measure the dimensions of the top of your trunk from the metal borders. Have a piece of glass cut to size. Glue the glass to the top of the trunk using construction glue. Frame the glass using mirror trim with 45° angle cuts.



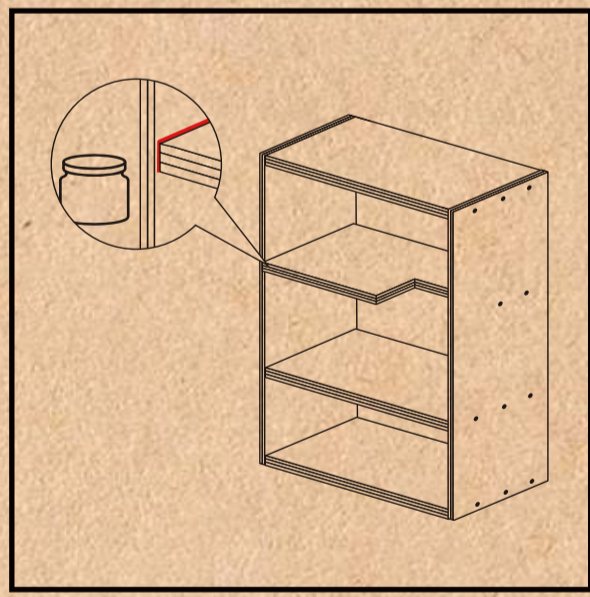
**1.4** Square the sides of your box and assemble using wood glue and a nail gun. Allow to dry.



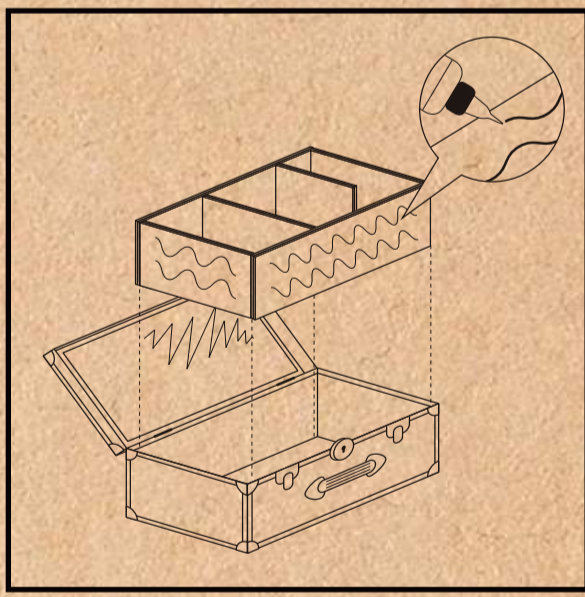
**1.5** **Optional:** We wanted to have some room to display a premium or taller bottle so we made a cut-out in our second shelf. To do the same, mark out your cut-out and use a router drill bit to make a hole into the corner. Then cut into the hole from either side using a table saw. Finish by sanding the edges.



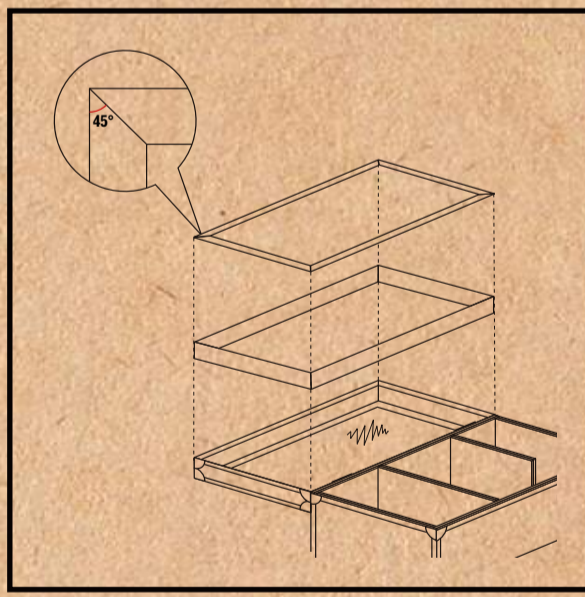
**1.6** Level and square your shelves and attach using wood glue and a nail gun. We used a 14" height for our bottom shelf and an 8" height for our second shelf. Allow to dry.



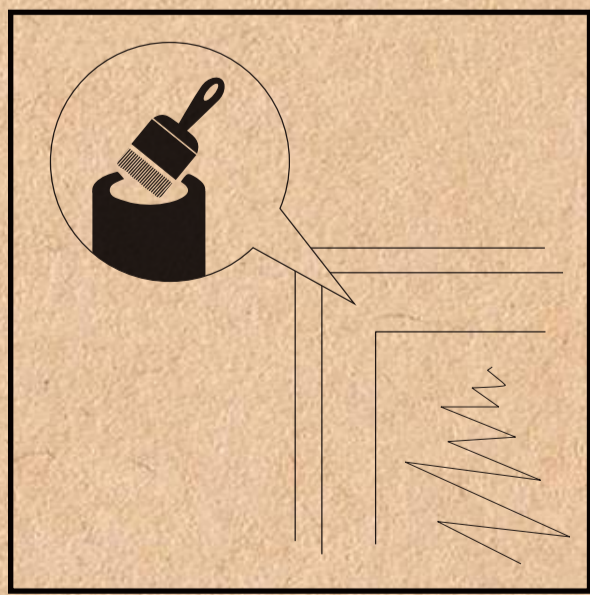
**1.7** Use wood filler to fill in any gaps in the edges of your plywood. Allow to dry and sand to finish.



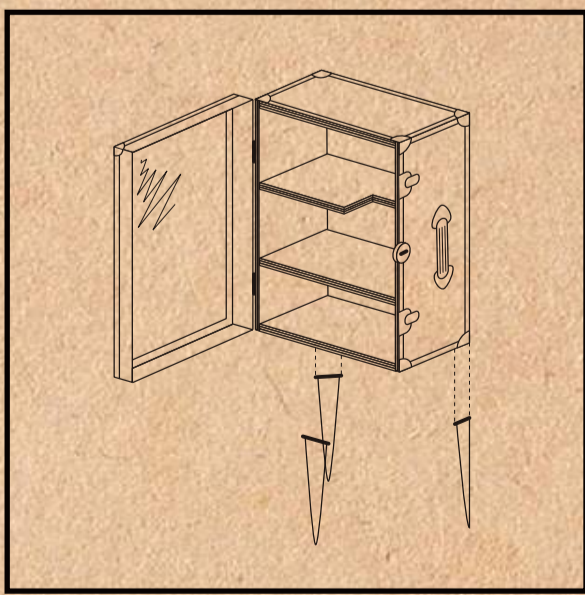
**1.8** Glue the 1/4" piece of plywood to the bottom of your trunk and glue in your assembled box with shelves. Clamp and allow to dry overnight.



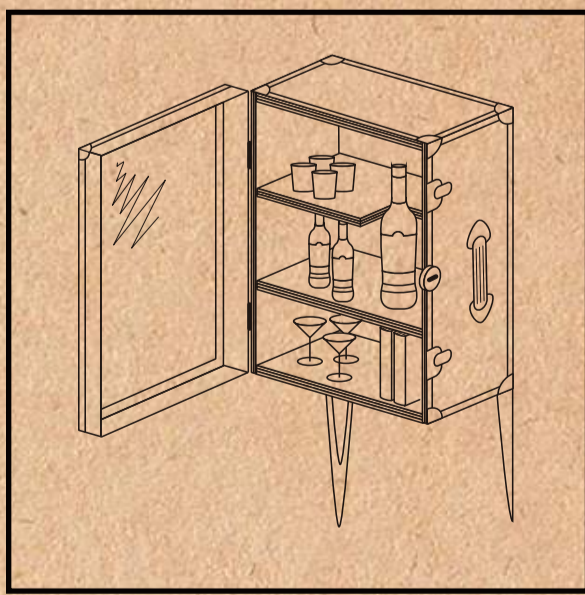
**1.9** Trim the inside of the top of your trunk with 1/8" plywood. Measure the top, bottom and sides of the inside of your trunk lid and cut your plywood trim accordingly. Also cut 1/8" plywood to cover up the visible 1.5" on the inside of the trunk lid. This is the 1.5" trim to which your glass is affixed on the top of the trunk. Cut these pieces on 45° angles to frame the inside of your trunk's glass.



**2.0** Sand and stain the trim. Allow to dry in between steps. Glue the trim in and clamp to secure. Allow to dry overnight.



**2.1** Add legs to the bottom of your trunk to give it height.



**2.2** Stock your shelves and admire your new trunk liquor cabinet!

